

NEW!

BAND AND NOZZLE

AFH Aluma-Flex® Band Heaters

- Rugged, Long Lasting Design
- Excellent Heat Transfer from Element to Sheath and Sheath to Heated Part
- Virtually Contamination Proof
- Uniform Sheath Temperatures up to 650°F (345°C)
- Easy Installation



Description

The element utilized in the Aluma-Flex Band Heater is the highly efficient, rugged, long lasting tubular heater pressed in a grooved aluminum extrusion. The combination of the tubular heater in exact contact with the excellent thermal conducting aluminum extrusion create a quick responding band heater with uniform sheath temperatures for precise process heating. With the termination a significant distance from the part being heated and no other place for contaminants to enter,

the Aluma-Flex is virtually indestructible. A low expansion alloy strap with mounting hardware allows the assembly to be tightly drawn to the part to be heated. With sheath temperatures to 650°F attainable, the Aluma-Flex Band Heater is ideal for use on barrels of plastic extruders, injection molding machines, dies and die heads of extruders and blow molding equipment, or, within temperature limitations, any cylindrical surface.

Screws on both sides of terminals fasten strap to extrusion

Low expansion mounting strap

Optional terminal box

Jumper provided for easy installation wiring

.315" copper clad steel sheath tubular heater

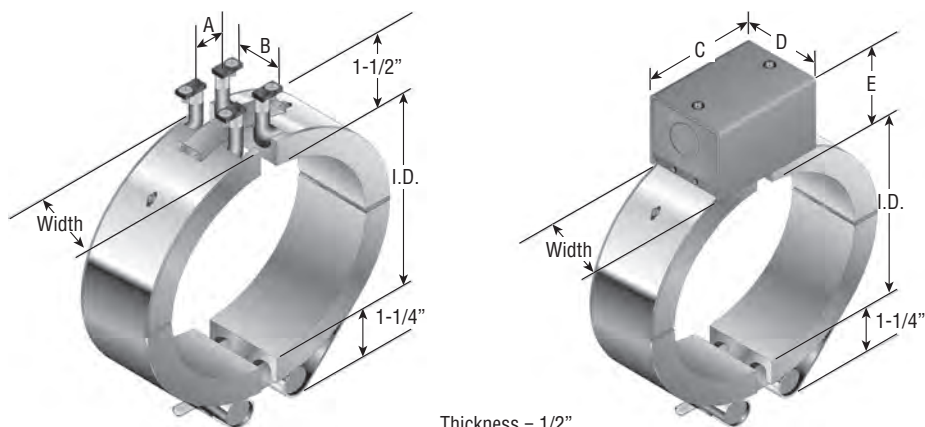
Sectional aluminum extrusion

10-32 binding head screws standard

Silicone fluid applied to terminals retards absorption of moisture during initial storage

1/4-20 socket head screw and barrel nut mounting assembly

AFH Aluma-Flex® Band Heaters (*cont'd.*)



Thickness = 1/2"

| Dimension Reference | Width (In.) | | | |
|---------------------|-------------|----------|--------|--------|
| | 1-1/2" | 2-1/2" | 3" | 4" |
| A | 1" | 1-1/2" | 1-1/2" | 2" |
| B | 3/4" | 1-13/16" | 2" | 3-1/4" |
| C | 3-3/8" | 4" | 4" | 4" |
| D | 2" | 2-3/4" | 3-5/8" | 4-1/4" |
| E | 2" | 2-3/8" | 2-3/8" | 3-3/8" |

1-1/2" Width

| Model Number | I.D. | Watts | Volts |
|--------------|-------|-------|---------|
| AFH1-35-0001 | 3-1/2 | 650 | 120/240 |
| AFH1-35-0087 | 3-1/2 | 650 | 240/480 |
| AFH1-37-0002 | 3-3/4 | 700 | 120/240 |
| AFH1-37-0088 | 3-3/4 | 700 | 240/480 |
| AFH1-40-0003 | 4 | 750 | 120/240 |
| AFH1-40-0089 | 4 | 750 | 240/480 |
| AFH1-42-0004 | 4-1/4 | 780 | 120/240 |
| AFH1-42-0090 | 4-1/4 | 780 | 240/480 |
| AFH1-45-0005 | 4-1/2 | 810 | 120/240 |
| AFH1-45-0091 | 4-1/2 | 810 | 240/480 |
| AFH1-47-0006 | 4-3/4 | 860 | 120/240 |
| AFH1-47-0092 | 4-3/4 | 860 | 240/480 |
| AFH1-50-0007 | 5 | 930 | 120/240 |
| AFH1-50-0093 | 5 | 930 | 240/480 |
| AFH1-52-0008 | 5-1/4 | 970 | 120/240 |
| AFH1-52-0094 | 5-1/4 | 970 | 240/480 |
| AFH1-55-0009 | 5-1/2 | 1000 | 120/240 |
| AFH1-55-0095 | 5-1/2 | 1000 | 240/480 |
| AFH1-57-0096 | 5-3/4 | 1060 | 120/240 |
| AFH1-57-0097 | 5-3/4 | 1060 | 240/480 |
| AFH1-60-0010 | 6 | 1100 | 120/240 |
| AFH1-60-0098 | 6 | 1100 | 240/480 |
| AFH1-62-0011 | 6-1/4 | 1150 | 120/240 |
| AFH1-62-0099 | 6-1/4 | 1150 | 240/480 |
| AFH1-65-0012 | 6-1/2 | 1200 | 120/240 |
| AFH1-65-0100 | 6-1/2 | 1200 | 240/480 |
| AFH1-67-0013 | 6-3/4 | 1250 | 120/240 |
| AFH1-67-0101 | 6-3/4 | 1250 | 240/480 |
| AFH1-70-0014 | 7 | 1300 | 120/240 |
| AFH1-70-0102 | 7 | 1300 | 240/480 |
| AFH1-72-0015 | 7-1/4 | 1350 | 120/240 |
| AFH1-72-0103 | 7-1/4 | 1350 | 240/480 |

AFH

Aluma-Flex®

Band Heaters (*cont'd.*)

1-1/2" Width (cont'd.)

| Model Number | I.D. | Watts | Volts |
|---------------|--------|-------|---------|
| AFH1-75-0016 | 7-1/2 | 1390 | 120/240 |
| AFH1-75-0104 | 7-1/2 | 1390 | 240/480 |
| AFH1-77-0017 | 7-3/4 | 1450 | 120/240 |
| AFH1-77-0105 | 7-3/4 | 1450 | 240/480 |
| AFH1-80-0018 | 8 | 1480 | 120/240 |
| AFH1-80-0106 | 8-1/4 | 1480 | 240/480 |
| AFH1-82-0019 | 8-1/4 | 1520 | 120/240 |
| AFH1-82-0107 | 8-1/4 | 1520 | 240/480 |
| AFH1-85-0020 | 8-1/2 | 1550 | 120/240 |
| AFH1-85-0108 | 8-1/2 | 1550 | 240/480 |
| AFH1-87-0021 | 8-3/4 | 1610 | 120/240 |
| AFH1-87-0109 | 8-3/4 | 1610 | 240/480 |
| AFH1-90-0022 | 9 | 1680 | 120/240 |
| AFH1-90-0110 | 9 | 1680 | 240/480 |
| AFH1-92-0023 | 9-1/4 | 1720 | 120/240 |
| AFH1-92-0111 | 9-1/4 | 1720 | 240/480 |
| AFH1-95-0024 | 9-1/2 | 1780 | 120/240 |
| AFH1-95-0112 | 9-1/2 | 1780 | 240/480 |
| AFH1-97-0025 | 9-3/4 | 1810 | 120/140 |
| AFH1-97-0113 | 9-3/4 | 1810 | 240/480 |
| AFH1-100-0026 | 10 | 1850 | 120/240 |
| AFH1-100-0114 | 10 | 1850 | 240/480 |
| AFH1-102-0027 | 10-1/4 | 1900 | 120/240 |
| AFH1-102-0115 | 10-1/4 | 1900 | 240/480 |
| AFH1-105-0028 | 10-1/2 | 1940 | 120/240 |
| AFH1-105-0116 | 10-1/2 | 1940 | 240/480 |
| AFH1-107-0029 | 10-3/4 | 2000 | |
| AFH1-110-0030 | 11 | 2030 | |
| AFH1-112-0031 | 11-1/4 | 2080 | |
| AFH1-115-0032 | 11-1/2 | 2130 | |
| AFH1-117-0033 | 11-3/4 | 2180 | |
| AFH1-120-0034 | 12 | 2230 | |
| AFH1-122-0035 | 12-1/4 | 2280 | |
| AFH1-125-0036 | 12-1/2 | 2300 | |
| AFH1-127-0037 | 12-3/4 | 2380 | |
| AFH1-130-0038 | 13 | 2430 | |
| AFH1-132-0039 | 13-1/4 | 2480 | |
| AFH1-135-0040 | 13-1/2 | 2500 | |
| AFH1-137-0041 | 13-3/4 | 2550 | |
| AFH1-140-0042 | 14 | 2600 | |

Components

AFH

Aluma-Flex®

Band Heaters (*cont'd.*)

2-1/2" Width

| Model Number | I.D. | Watts | Volts |
|---------------|--------|-------|---------|
| AFH2-50-0001 | 5 | 1325 | 120/240 |
| AFH2-50-0002 | 5 | 1325 | 240/480 |
| AFH2-52-0003 | 5-1/4 | 1400 | 120/240 |
| AFH2-52-0004 | 5-1/4 | 1400 | 240/480 |
| AFH2-55-0005 | 5-1/2 | 1475 | 120/240 |
| AFH2-55-0006 | 5-1/2 | 1475 | 240/480 |
| AFH2-57-0007 | 5-3/4 | 1525 | 120/240 |
| AFH2-57-0008 | 5-3/4 | 1525 | 240/480 |
| AFH2-60-0009 | 6 | 1600 | 120/240 |
| AFH2-60-0010 | 6 | 1600 | 240/480 |
| AFH2-62-0011 | 6-1/4 | 1675 | 120/240 |
| AFH2-62-0012 | 6-1/4 | 1675 | 240/480 |
| AFH2-65-0013 | 6-1/2 | 1750 | 120/240 |
| AFH2-65-0014 | 6-1/2 | 1750 | 240/480 |
| AFH2-67-0015 | 6-3/4 | 1800 | 120/240 |
| AFH2-67-0016 | 6-3/4 | 1800 | 240/480 |
| AFH2-70-0017 | 7 | 1875 | 120/240 |
| AFH2-70-0018 | 7 | 1875 | 240/480 |
| AFH2-72-0019 | 7-1/4 | 1950 | 120/240 |
| AFH2-72-0020 | 7-1/4 | 1950 | 240/480 |
| AFH2-75-0021 | 7-1/2 | 2025 | 120/240 |
| AFH2-75-0022 | 7-1/2 | 2025 | 240/480 |
| AFH2-77-0023 | 7-3/4 | 2075 | 120/240 |
| AFH2-77-0024 | 7-3/4 | 2075 | 240/480 |
| AFH2-80-0025 | 8 | 2150 | 120/240 |
| AFH2-80-0026 | 8 | 2150 | 240/480 |
| AFH2-82-0027 | 8-1/4 | 2225 | 120/240 |
| AFH2-82-0028 | 8-1/4 | 2225 | 240/480 |
| AFH2-85-0029 | 8-1/2 | 2300 | 120/240 |
| AFH2-85-0030 | 8-1/2 | 2300 | 240/480 |
| AFH2-87-0031 | 8-1/4 | 2350 | 120/240 |
| AFH2-87-0032 | 8-3/4 | 2350 | 240/480 |
| AFH2-90-0033 | 9 | 2425 | 120/240 |
| AFH2-90-0034 | 9 | 2425 | 240/480 |
| AFH2-92-0035 | 9-1/4 | 2500 | 120/240 |
| AFH2-92-0036 | 9-1/4 | 2500 | 240/480 |
| AFH2-95-0037 | 9-1/2 | 2575 | 120/240 |
| AFH2-95-0038 | 9-1/2 | 2575 | 240/480 |
| AFH2-97-0039 | 9-3/4 | 2625 | 120/240 |
| AFH2-97-0040 | 9-3/4 | 2625 | 240/480 |
| AFH2-100-0041 | 10 | 2700 | 120/240 |
| AFH2-100-0042 | 10 | 2700 | |
| AFH2-100-0043 | 10-1/4 | 2775 | |
| AFH2-105-0044 | 10-1/4 | 2850 | |
| AFH2-107-0045 | 10-1/4 | 2900 | |
| AFH2-110-0046 | 11 | 2975 | |
| AFH2-112-0047 | 11-1/4 | 3050 | |
| AFH2-115-0048 | 11-1/2 | 3125 | |
| AFH2-117-0049 | 11-3/4 | 3175 | |
| AFH2-120-0050 | 12 | 3250 | 240/480 |
| AFH2-122-0051 | 12-1/4 | 3370 | |
| AFH2-125-0052 | 12-1/2 | 3425 | |
| AFH2-127-0053 | 12-3/4 | 3500 | |
| AFH2-130-0054 | 13 | 3575 | |
| AFH2-132-0055 | 13-1/4 | 3640 | |
| AFH2-135-0056 | 13-1/2 | 3710 | |
| AFH2-137-0057 | 13-1/4 | 3775 | |
| AFH2-140-0058 | 14 | 3850 | |

AFH

Aluma-Flex®

Band Heaters *(cont'd.)*

3" Width

BAND AND NOZZLE

| Model Number | I.D. | Watts | Volts |
|---------------|--------|-------|---------|
| AFH3-50-0001 | 5 | 1400 | 120/240 |
| AFH3-50-0038 | 5 | 1400 | 240/480 |
| AFH3-52-0002 | 5-1/4 | 1480 | 120/240 |
| AFH3-52-0039 | 5-1/4 | 1480 | 240/480 |
| AFH3-55-0003 | 5-1/2 | 1550 | 120/240 |
| AFH3-55-0040 | 5-1/2 | 1550 | 240/480 |
| AFH3-57-0004 | 5-3/4 | 1630 | 120/240 |
| AFH3-57-0041 | 5-3/4 | 1630 | 240/480 |
| AFH3-60-0005 | 6 | 1700 | 120/240 |
| AFH3-60-0042 | 6 | 1700 | 240/480 |
| AFH3-62-0006 | 6-1/4 | 1780 | 120/240 |
| AFH3-62-0043 | 6-1/4 | 1780 | 240/480 |
| AFH3-65-0007 | 6-1/2 | 1830 | 120/240 |
| AFH3-65-0044 | 6-1/2 | 1830 | 240/480 |
| AFH3-67-0008 | 6-3/4 | 1900 | 120/240 |
| AFH3-67-0045 | 6-3/4 | 1900 | 240/480 |
| AFH3-70-0009 | 7 | 1980 | 120/240 |
| AFH3-70-0046 | 7 | 1980 | 240/480 |
| AFH3-72-0010 | 7-1/4 | 2050 | |
| AFH3-75-0011 | 7-1/2 | 2130 | |
| AFH3-77-0012 | 7-3/4 | 2200 | |
| AFH3-80-0013 | 8 | 2280 | |
| AFH3-82-0014 | 8-1/4 | 2330 | |
| AFH3-85-0015 | 8-1/2 | 2400 | |
| AFH3-87-0016 | 8-3/4 | 2480 | |
| AFH3-90-0017 | 9 | 2550 | |
| AFH3-92-0018 | 9-1/4 | 2600 | |
| AFH3-95-0019 | 9-1/2 | 2680 | |
| AFH3-97-0020 | 9-3/4 | 2750 | |
| AFH3-100-0021 | 10 | 2830 | |
| AFH3-102-0022 | 10-1/4 | 2900 | |
| AFH3-105-0023 | 10-1/2 | 2980 | |
| AFH3-107-0024 | 10-3/4 | 3030 | |
| AFH3-110-0025 | 11 | 3100 | |
| AFH3-112-0026 | 11-1/4 | 3180 | |
| AFH3-115-0027 | 11-1/2 | 3250 | |
| AFH3-117-0028 | 11-3/4 | 3330 | |
| AFH3-120-0029 | 12 | 3400 | |
| AFH3-122-0030 | 12-1/4 | 3480 | |
| AFH3-125-0031 | 12-1/2 | 3530 | |
| AFH3-127-0032 | 12-3/4 | 3600 | |
| AFH3-130-0033 | 13 | 3680 | |
| AFH3-132-0034 | 13-1/4 | 3750 | |
| AFH3-135-0035 | 13-1/2 | 3800 | |
| AFH3-137-0036 | 13-3/4 | 3880 | |

Components

AFH

Aluma-Flex®

Band Heaters (*cont'd.*)

4" Width

| Model Number | I.D. | Watts | Volts |
|---------------|--------|-------|---------|
| AFH4-50-0001 | 5 | 1875 | 120/240 |
| AFH4-50-0002 | 5 | 1875 | 240/480 |
| AFH4-52-0003 | 5-1/4 | 1975 | 120/240 |
| AFH4-52-0004 | 5-1/4 | 1975 | 240/480 |
| AFH4-55-0005 | 5-1/2 | 2075 | 120/240 |
| AFH4-55-0006 | 5-1/2 | 2075 | 240/480 |
| AFH4-57-0007 | 5-3/4 | 2175 | 120/240 |
| AFH4-57-0008 | 5-3/4 | 2175 | 240/480 |
| AFH4-60-0009 | 6 | 2285 | 120/240 |
| AFH4-60-0010 | 6 | 2285 | 240/480 |
| AFH4-62-0011 | 6-1/4 | 2375 | 120/240 |
| AFH4-62-0012 | 6-1/4 | 2375 | 240/480 |
| AFH4-65-0013 | 6-1/2 | 2475 | 120/240 |
| AFH4-65-0014 | 6-1/2 | 2475 | 240/480 |
| AFH4-67-0015 | 6-3/4 | 2575 | 120/240 |
| AFH4-67-0016 | 6-3/4 | 2575 | 240/480 |
| AFH4-70-0017 | 7 | 2675 | 120/240 |
| AFH4-70-0018 | 7 | 2675 | 240/480 |
| AFH4-72-0019 | 7-1/4 | 2750 | 120/240 |
| AFH4-72-0020 | 7-1/4 | 2750 | 240/480 |
| AFH4-75-0021 | 7-1/2 | 2850 | 120/240 |
| AFH4-75-0022 | 7-1/2 | 2850 | 240/480 |
| AFH4-77-0023 | 7-3/4 | 2950 | 120/240 |
| AFH4-77-0024 | 7-3/4 | 2950 | 240/480 |
| AFH4-80-0025 | 8 | 3050 | 120/240 |
| AFH4-80-0026 | 8 | 3050 | 240/480 |
| AFH4-82-0027 | 8-1/4 | 3150 | 120/240 |
| AFH4-82-0028 | 8-1/4 | 3150 | 240/480 |
| AFH4-85-0029 | 8-1/2 | 3250 | 120/240 |
| AFH4-85-0030 | 8-1/2 | 3250 | 240/480 |
| AFH4-87-0031 | 8-3/4 | 3350 | 120/240 |
| AFH4-87-0032 | 8-3/4 | 3350 | 240/480 |
| AFH4-90-0033 | 9 | 3450 | 120/240 |
| AFH4-90-0034 | 9 | 3450 | 240/480 |
| AFH4-92-0035 | 9-1/4 | 3550 | 120/240 |
| AFH4-92-0036 | 9-1/4 | 3550 | 240/480 |
| AFH4-95-0037 | 9-1/2 | 3625 | 240/480 |
| AFH4-97-0038 | 9-3/4 | 3725 | 240/480 |
| AFH4-100-0039 | 10 | 3825 | 240/480 |
| AFH4-102-0040 | 10-1/4 | 3925 | 240/480 |
| AFH4-105-0041 | 10-1/2 | 4025 | 240/480 |
| AFH4-107-0042 | 10-3/4 | 4125 | 240/480 |
| AFH4-110-0043 | 11 | 4225 | 240/480 |
| AFH4-112-0044 | 11-1/4 | 4325 | 240/480 |
| AFH4-115-0045 | 11-1/2 | 4425 | 240/480 |
| AFH4-117-0046 | 11-3/4 | 4500 | 240/480 |
| AFH4-120-0047 | 12 | 4600 | 240/480 |
| AFH4-122-0048 | 12-1/4 | 4700 | 240/480 |
| AFH4-125-0049 | 12-1/2 | 4800 | 240/480 |
| AFH4-127-0050 | 12-3/4 | 4900 | 240/480 |
| AFH4-130-0051 | 13 | 5000 | 240/480 |
| AFH4-132-0052 | 13-1/4 | 5100 | 240/480 |
| AFH4-135-0053 | 13-1/2 | 5200 | 240/480 |
| AFH4-137-0054 | 13-3/4 | 5350 | 240/480 |
| AFH4-140-0055 | 14 | 5450 | 240/480 |

All items shown are with "Type S" termination. Add "B" to catalog number for terminal box or "BA" for box fitted with conduit.

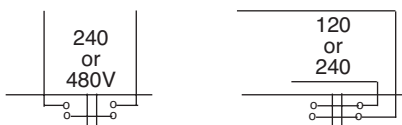
EXAMPLES: AFH1-80-0018-B, AFH3-125-0031-BA

AFH Aluma-Flex® Band Heaters *(cont'd.)*

Additional Features

- **Type BA:** Standard terminal box pre-wired and fitted with conduit (12" standard length). Plug can be attached to conduit.
- **Type P:** Probe holes (Consult factory). Max hole \varnothing 3/8"
- **Type L:** Spring loaded screw for thermal expansion compensation (over 18" diameter).
- **Type I:** Diameter design for internally heating cylinder.

Wiring



- **Type C:** Copper, steel or stainless steel cooling tubes on 2-1/2", 3", and 4" wide units. Can be supplied heat/cool or cooling only. Reduce standard wattages as shown by 25%.

Specifications

Resistance Tolerance: ... + 10%, - 5%
 Wattage Tolerance: + 5%, - 10%
 Maximum Volts: 277 each half
 Maximum Amperage: .. 30
 Maximum Watt
 Density: 40 watts²/in. on sheath
 Minimum I.D.: 3-1/2" on 1-1/2" and 2-1/2" wide. 5" on 3" and 4" wide.
 Maximum I.D.: Consult Ogden – any practical diameter is possible with additional segmentation.
 Thickness: 1/2"
 Standard Gap
 when Tightened: 1/4" up to 12" I.D. Gap increases with diameter to compensate for thermal expansion.

- **Type M7:** Terminal area is brazed or welded to a moisture/explosion resistant terminal enclosure.

