



A Division of TM Industrial Supply, Inc.
 1432 Walnut Street Erie, PA 16502-1746 USA
 Phone (814) 456-1448 Fax (814) 452-6573
 Email: sales@tmfiltration.com Web: www.tmfiltration.com

Mechanical Gas Vane Dryer Model 355H - 356H Patent Pending

Impingement Plate = 1st phase of liquid and particulate removal.
 Vane Assembly = 2nd phase of liquid removal.
 Vertical Coalescing Filter Cartridges = 3rd phase is an efficient way of discharging liquid from the filter.
 Quick opening Closure = Filter access through Posi-Sealoc II® (U.S. Patent No. 7,850,751 B2).
 GFM Technologies® = Cleanable Coalescing Filter Cartridges (U.S. Patent No. 7,332,010).
 Integral Drain Tank = Keep liquids away from gas flow eliminating re-entrainment.
 High Pressure Design = Low to high pressure design

Standards

- Designed, manufactured and tested in accordance with ASME Section VIII Div. 1. ("U" stamp optional)
- Buna-N Seals & commercial non-asbestos gasket. (Spiral wound gasket optional)
- Connections for instrumentation e.g.: level gauges, PRSV, Vent, Drain and Differential Pressure.
- Housings will be blasted and coated internally and externally
- Dimensions and materials of construction and coatings may be customized per special customer application.
- Contact sales for standard dimensions
- 2" Thru 12" pipeline sizes
- Ratings: 150#, 300#, ANSI/ASME - other ratings available per application



Applications

- Natural Gas Compressor stations
- Skid Filtration Systems
- Combined Cycle Plants
- Heat Exchanger Skid Assemblies
- Natural Gas Well

Solutions for the New Gas Industry

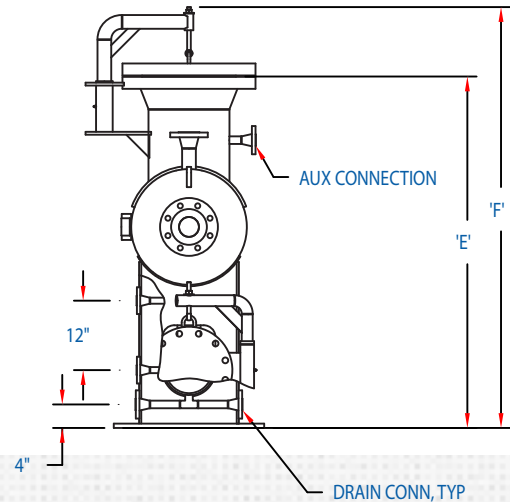
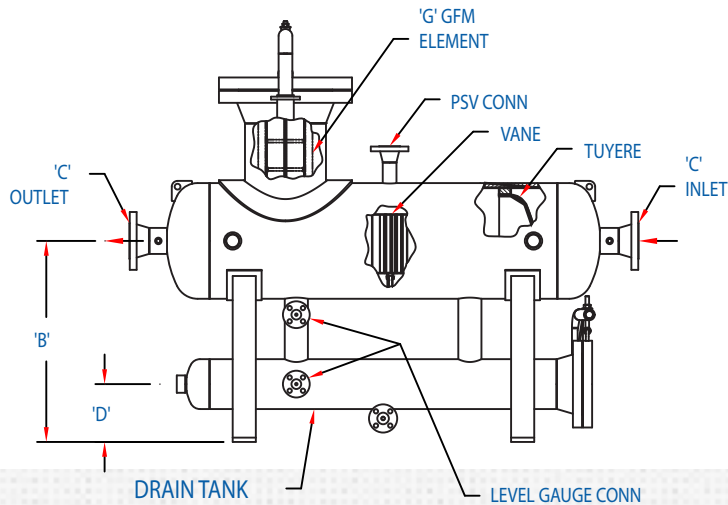
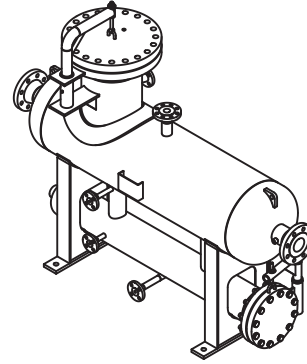
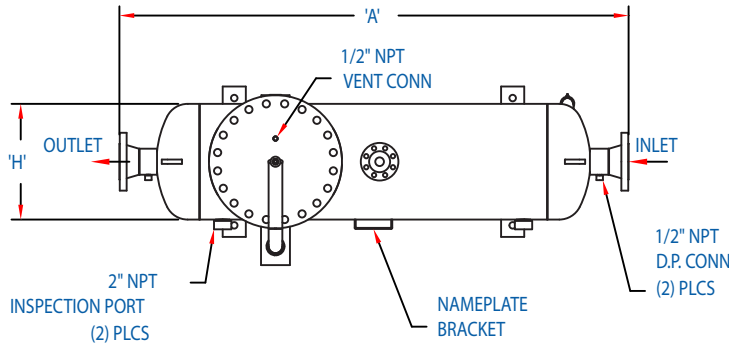


A Division of TM Industrial Supply, Inc.
 1432 Walnut Street Erie, PA 16502-1746 USA
 Phone (814) 456-1448 Fax (814) 452-6573

Email: sales@tmfiltration.com Web: www.tmfiltration.com

Model 355H Bolted Closure

Patent Pending



| | A | B | C | D | E | F | G | H |
|-----|------|---------|-----|---------|---------|-----|----|-----|
| 2" | 78" | 36" | 2" | 12" | 54" | 66" | #1 | 16" |
| 3" | 78" | 36" | 3" | 12" | 54" | 66" | #1 | 16" |
| 4" | 90" | 34-3/4" | 4" | 10" | 60-3/4" | 73" | #4 | 24" |
| 6" | 90" | 34-3/4" | 6" | 10" | 60-3/4" | 73" | #4 | 24" |
| 8" | 114" | 41" | 8" | 12-3/4" | 71" | 84" | #5 | 24" |
| 10" | 132" | 48" | 10" | 14-3/4" | 78" | 91" | #5 | 30" |
| 12" | 132" | 48" | 12" | 14-3/4" | 78" | 91" | #5 | 30" |

Dimensions subject to change without notice, apply for certified drawings. Custom designs are available, please consult the TM Sales Department or your local sales representative.

Solutions for the New Gas Industry

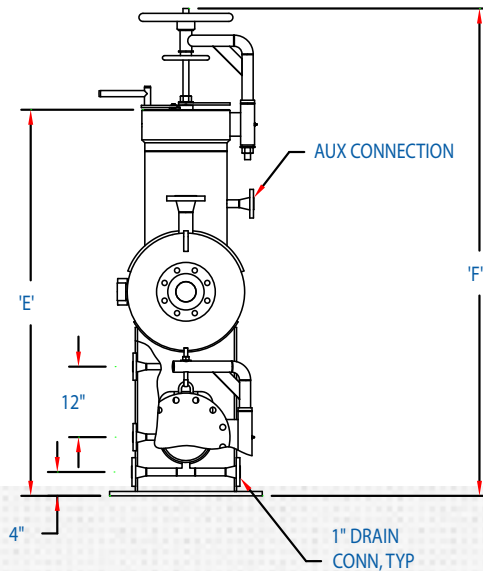
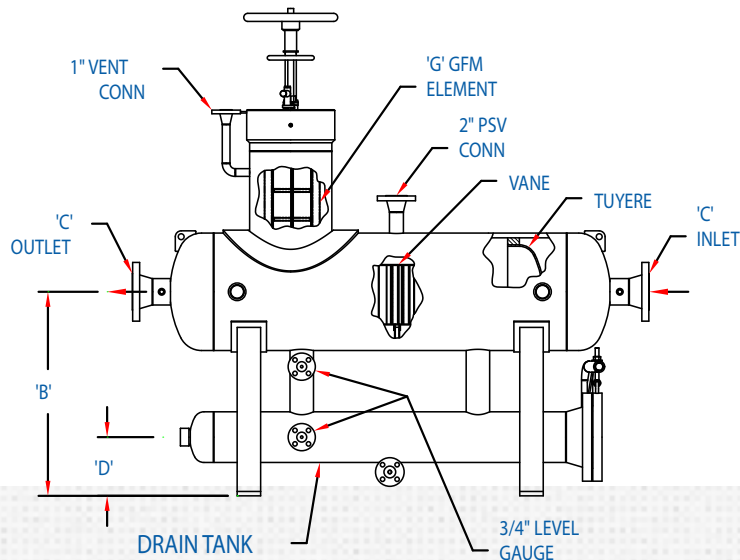
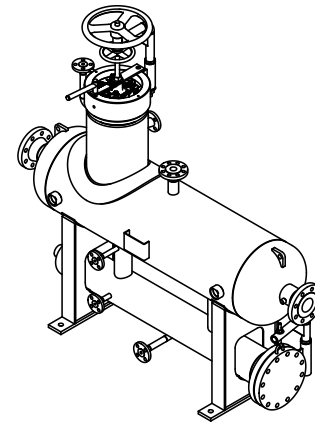
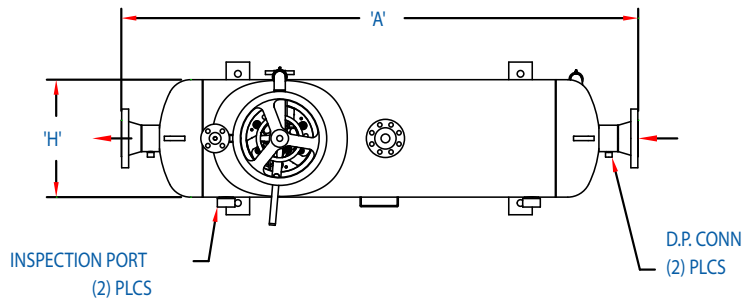


A Division of TM Industrial Supply, Inc.
 1432 Walnut Street Erie, PA 16502-1746 USA
 Phone (814) 456-1448 Fax (814) 452-6573

Email: sales@tmfiltration.com Web: www.tmfiltration.com

Model 356H Posi-Sealoc II™ Closure

Patent Pending



| | A | B | C | D | E | F | G | H |
|-----|------|---------|-----|---------|---------|------|----|-----|
| 2" | 78" | 36" | 2" | 12" | 53" | 76" | #1 | 16" |
| 3" | 78" | 36" | 3" | 12" | 53" | 76" | #1 | 16" |
| 4" | 90" | 34-3/4" | 4" | 10" | 65-3/4" | 84" | #4 | 24" |
| 6" | 90" | 34-3/4" | 6" | 10" | 65-3/4" | 84" | #4 | 24" |
| 8" | 114" | 41" | 8" | 12-3/4" | 75" | 96" | #5 | 24" |
| 10" | 132" | 48" | 10" | 14-3/4" | 84" | 105" | #5 | 30" |
| 12" | 132" | 48" | 12" | 14-3/4" | 84" | 105" | #5 | 30" |

Dimensions subject to change without notice, apply for certified drawings. Custom designs are available, please consult the TM Sales Department or your local sales representative.

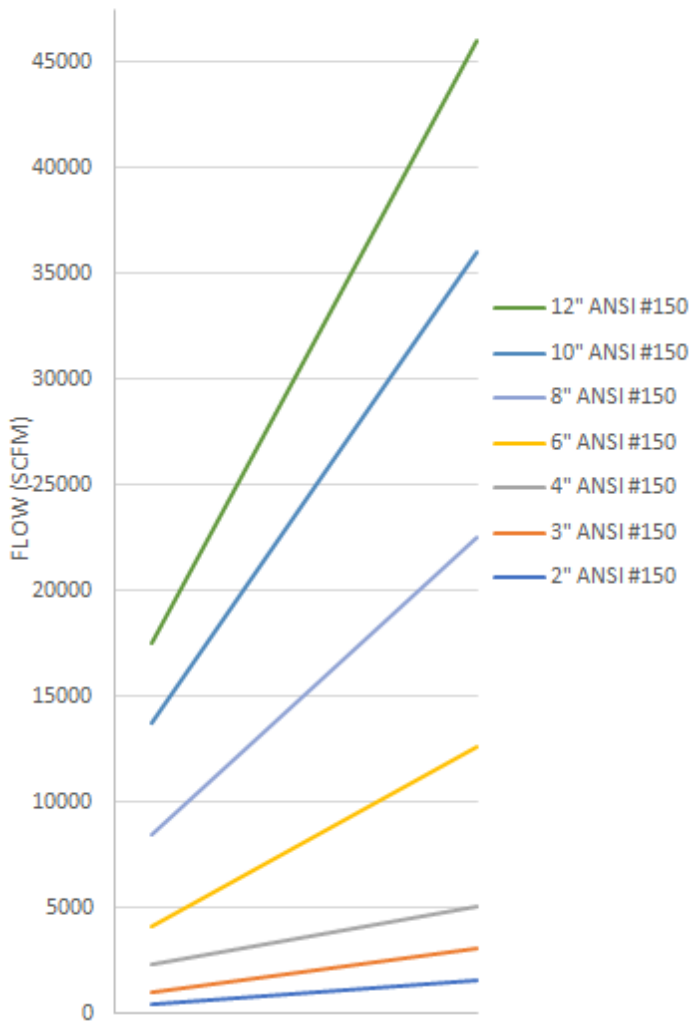
Solutions for the New Gas Industry



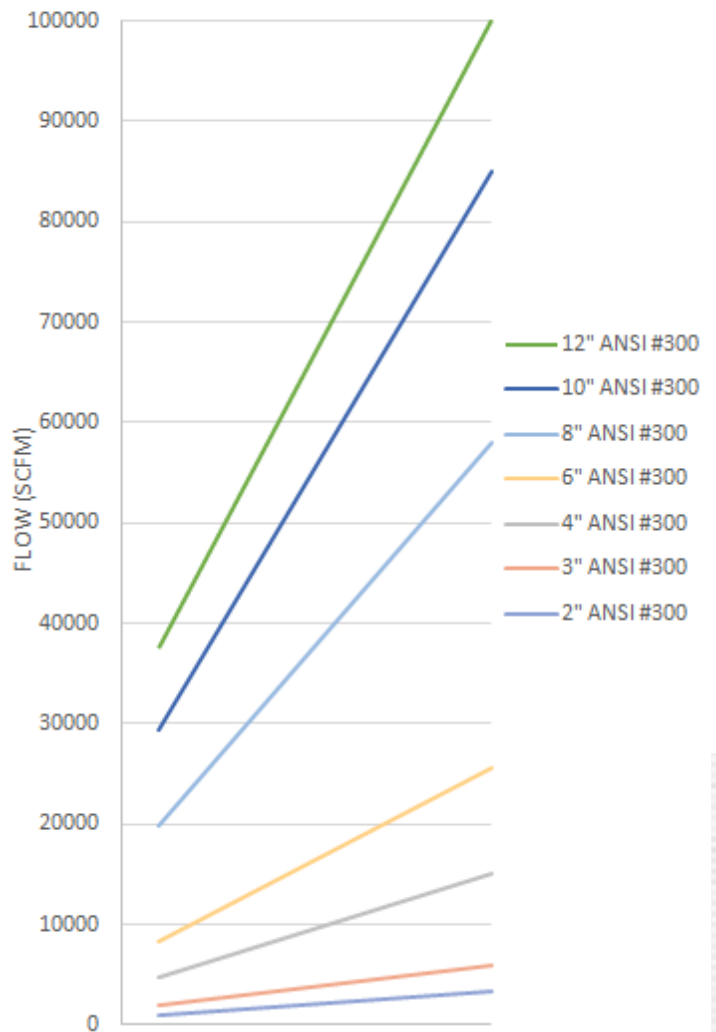
A Division of TM Industrial Supply, Inc.
 1432 Walnut Street Erie, PA 16502-1746 USA
 Phone (814) 456-1448 Fax (814) 452-6573
 Email: sales@tmfiltration.com Web: www.tmfiltration.com

Mechanical Gas Vane Dryer Model 355H - 356H Patent Pending

SIZING CHART #150



SIZING CHART #300



Solutions for the New Gas Industry